

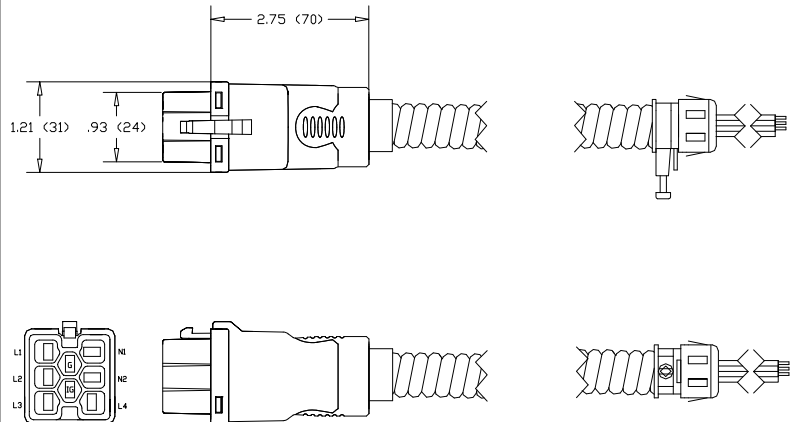
Starter Cable

Provides power supply connection and interface between hardwiring and EZ-wiring

Power supply end is a female EZ-Wiring connector. Free end consists of prepared wire & snap-in connector for field connection.

Specifications

- Constructed using ULTRALX® MC/AC-90 cable, minimum 12AWG conductors rated 600V 20A.
- Connectors are integrally moulded for superior strength and reliability.
- Mating connectors are self-latching and shrouded for added safety and protection.
- Uniquely-keyed, colour-coded mating connectors ensure safe, simple and error-free connectivity.
- Robust terminals deliver excellent electrical performance.
- Manufactured with Eco-Friendly Halogen-free RoHS-compliant materials.
- UL 183 and CSA 22.2 No 203.1 certified Manufactured Wiring System
- Approved for luminaire disconnect per NEC 410.73(g) and CEC Part 1 30-308(4)
- Acceptable for use in environmental air handling spaces per NEC 300-22(c) and CEC Part 1 12-010(3)



Notes

1. Dimensions are in inches (millimetres).
2. 125/250V 20A (4L, 2N, 2G) keyed-orientation is shown.
3. 480 and 600V product cCSA certified only "not for interrupting current".
4. Other system ratings and applications are available in uniquely-keyed and colour-coded configurations.

Ordering Information

Catalogue No. ***T*** H – ***VC*** – ***LNGO*** – C ***III*** ***A*** ***UU***

T Standard **1** = UL/CSA (MC/AC-90 Cable), **2** = CSA (AC-90 Cable)

VC System **22** = 125/250V 20A, **42** = 277V 20A, **62** = 347V 20A

<i>LNGO</i> Application	<i>Power Distribution</i>	<i>Switch</i>	<i>DALI Lighting Controls</i>
8w	<u>4220</u> = (4L 2N 2G)		
8w	<u>3320</u> = (3L 3N 2G)		
7w	<u>4210</u> = (4L 2N G)		<u>3112</u> = 3Ph 4w w/ DALI (3L N G 2D)
6w	<u>2220</u> = (2L 2N 2G)		
5w	<u>2210</u> = (2L 2N G)		
5w	<u>3110</u> = (3L N G)		<u>1112</u> = Single Cct w/ DALI (L N G 2D)
4w	<u>2110</u> = (2L N G)	<u>1012</u> = 3, 4-Way Switch	
3w	<u>1110</u> = (L N G)	<u>1011</u> = Switch	

III Length in dm **040** = 4.0m

A Cable Type **A** = Standard Armoured Cable
H = Halogen Free Armoured Cable

UU Wire Upsize **blank** = none, **10** = Upsized Neutrals only, **11** = Upsize all conductors

