

## Receptacle

**Provides power supply connection and interface between hardwiring and EZ-Wiring**

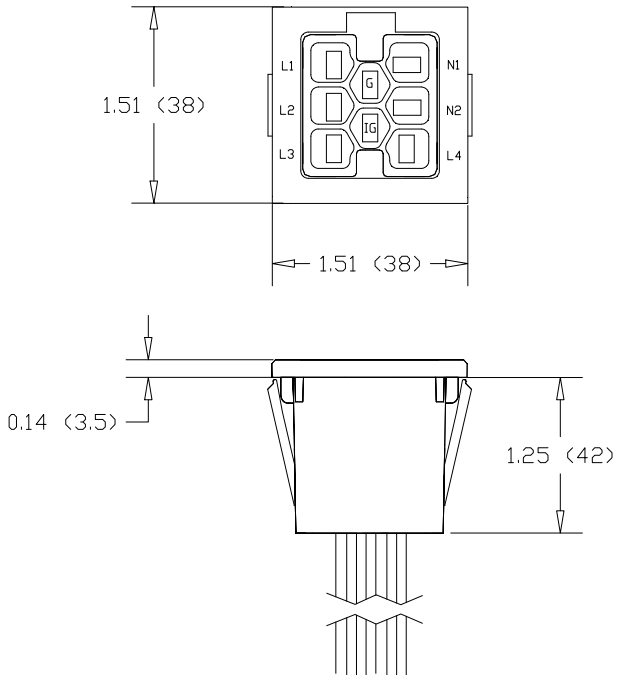
Flush mount device for use in enclosures and junction boxes includes leads prepared for field connection.

### Specifications

- Connectors are integrally moulded for superior strength and reliability.
- Mating connectors are self-latching and shrouded for added safety and protection.
- Uniquely-keyed, colour-coded mating connectors ensure safe, simple and error-free connectivity.
- Robust terminals deliver excellent electrical performance.
- Manufactured with Eco-Friendly Halogen-free RoHS-compliant materials.
- UL 183 and CSA 22.2 No 203.1 certified Manufactured Wiring System
- Approved for luminaire disconnect per NEC 410.73(g) and CEC Part 1 30-308(4)
- Acceptable for use in environmental air handling spaces per NEC 300-22(c) and CEC Part 1 12-010(3)
- Constructed with 8" leads prepared for connection.

### Notes

1. Dimensions are in inches (millimetres).
2. 125/250V 20A (4L, 2N, 2G) keyed-orientation is shown.
3. 480 and 600V product cCSA certified only "not for interrupting current".
4. Other system ratings and applications are available in uniquely-keyed and colour-coded configurations.



### Ordering Information

**Catalogue No.** TH – VC – LNGO – R UU

**T** Standard 1 = UL/CSA (MC/AC-90), 2 = CSA (AC-90)

**VC** System 22 = 125/250V 20A, 42 = 277V 20A, 62 = 347V 20A

**LNGO** Application

**Power Distribution**

**Switch**

**DALI Lighting Controls**

8w 4220 = (4L 2N 2G)

8w 3320 = (3L 3N 2G)

7w 4210 = (4L 2N G)

6w 2220 = (2L 2N 2G)

5w 2210 = (2L 2N G)

5w 3110 = (3L N G)

4w 2110 = (2L N G)

3w 1110 = (L N G)

3112 = 3Ph 4w w/ DALI (3L N G 2D)

1112 = Single Cct w/ DALI (L N G 2D)

1012 = 3, 4-Way Switch

1011 = Switch

**UU** Wire Upsize blank = none, 10 = Upsized Neutrals only, 11 = Upsize all conductors

