

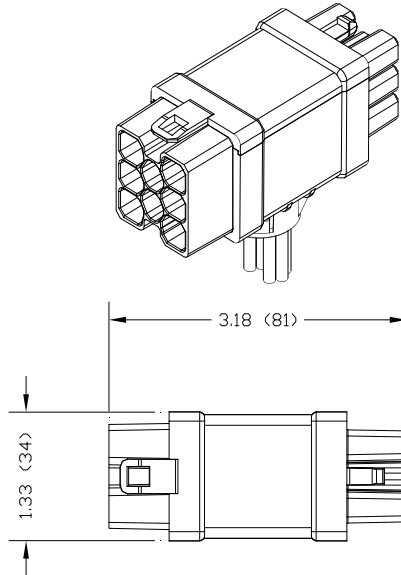
## Fixture Tap

### Provides connection to luminaires

Compact low-profile device for quick connection to fixtures. Snap-in ½" trade knockout design can be field or factory installed.

#### Specifications

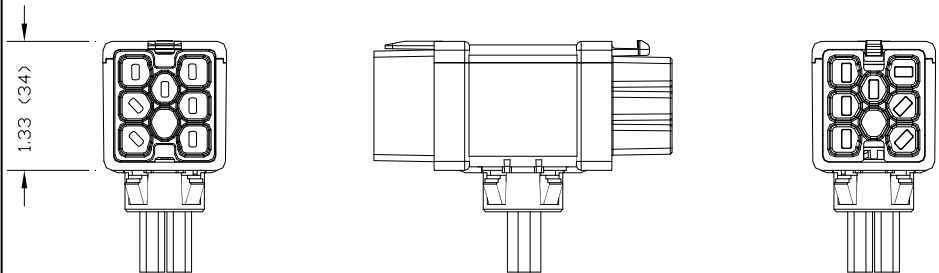
- Connectors are integrally moulded for superior strength and reliability.
- Mating connectors are self-latching and shrouded for added safety and protection.
- Uniquely-keyed, colour-coded mating connectors ensure safe, simple and error-free connectivity.
- Robust terminals deliver excellent electrical performance.
- Manufactured with Eco-Friendly Halogen-free RoHS-compliant materials.
- UL 183 and CSA 22.2 No 203.1 certified Manufactured Wiring System
- Approved for luminaire disconnect per NEC 410.73(g) and CEC Part 1 30-308(4)
- Acceptable for use in environmental air handling spaces per NEC 300-22(c) and CEC Part 1 12-010(3)
- Constructed with 8" leads 18AWG fixture leads prepared for connection



#### Notes

1. Dimensions are in inches (millimetres).
2. 125/250V 20A 3Ph 4W w/ DALI orientation (3L, N, G, D+, D-) shown.
3. 480 and 600V product cCSA certified only "not for interrupting current".
4. Other system ratings and applications are available in uniquely-keyed and colour-coded configurations
5. Fixture leads available with quick-connect push-in connectors.
6. For leads smaller than 12AWG, maximum connected load:
 

14AWG - 17 Amps
16AWG - 8 Amps
18AWG - 6 Amps



#### Ordering Information

<b>Catalogue No.</b>	1H – <b>VC</b> – <b>LNGO</b> – F <b>T</b> <b>P</b>	
<b>VC</b> System	<b>22</b> = 125/250V 20A, <b>42</b> = 277V 20A, <b>62</b> = 347V 20A	
<b>LNGO</b> Application	<b>1110</b> = Single Circuit, <b>2110</b> = Dual/Split Circuit	
	<b>1112</b> = Single Cct w/ DALI (L, N, G, D+, D-),	
	<b>3112</b> = 3Ph 4w w/ DALI (L1, L2, L3, N, G, D+, D-)	
<b>T</b> Fixture Leads	<b>0</b> = 18AWG, <b>1</b> = 16AWG, <b>2</b> = 14AWG, <b>3</b> = 12AWG	
<b>P</b> Options	<b>blank</b> = none, <b>1</b> = Push-in style connector	

