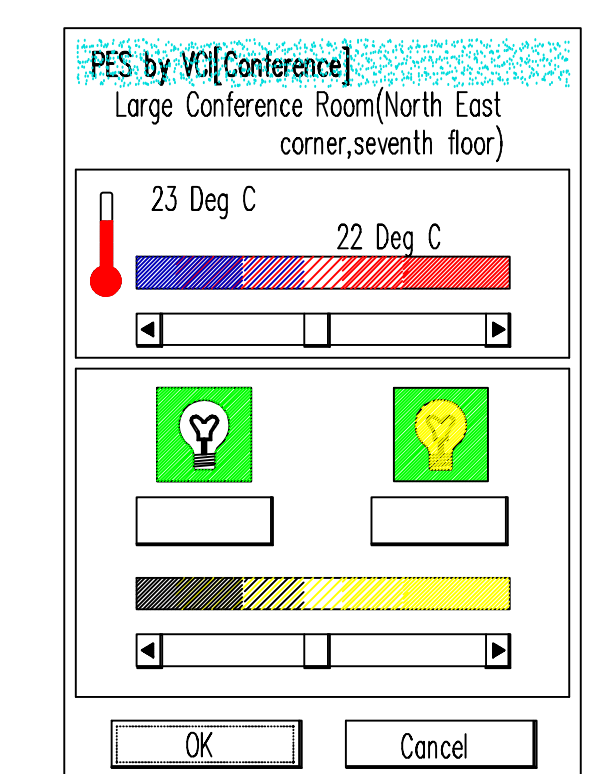
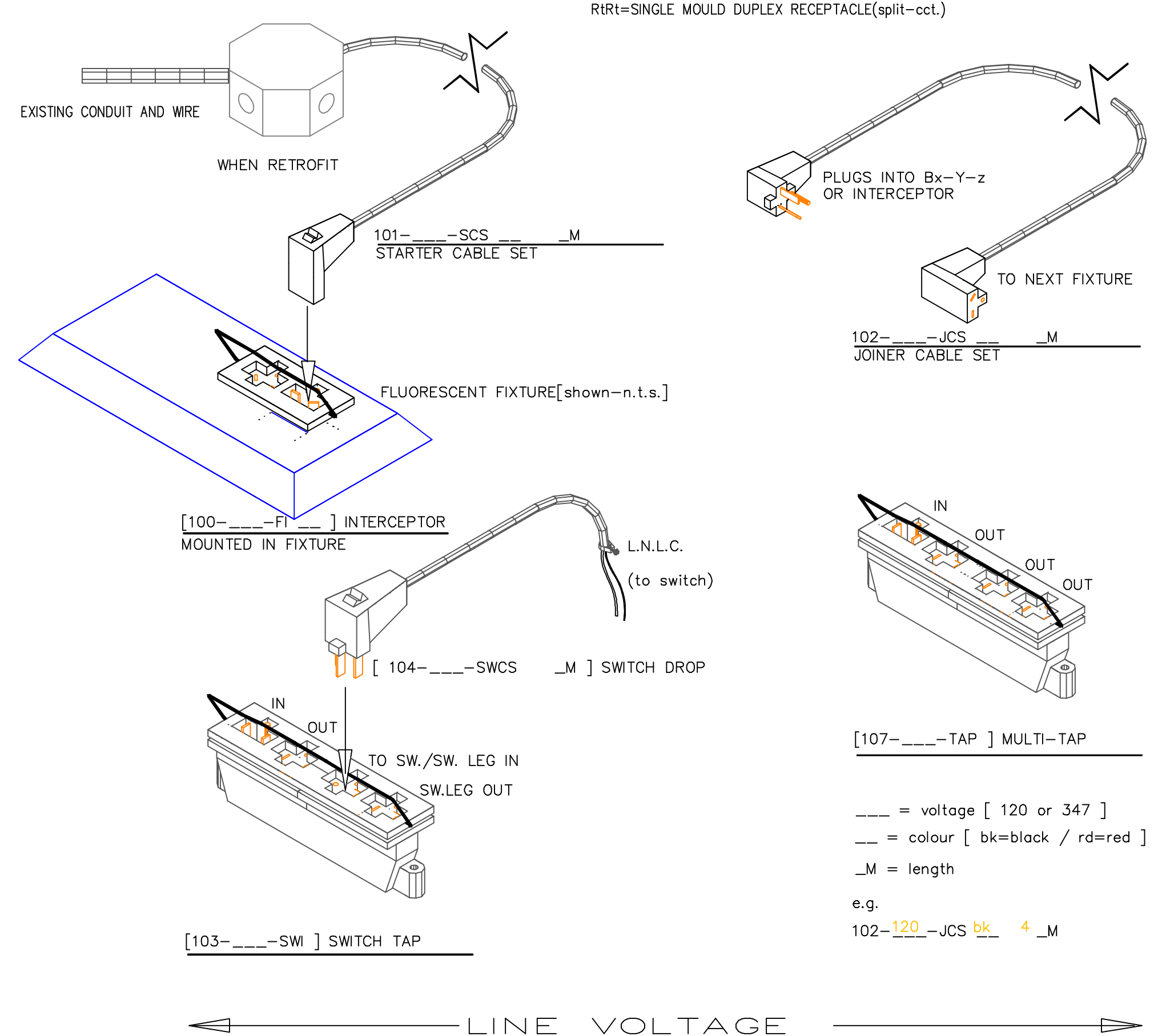
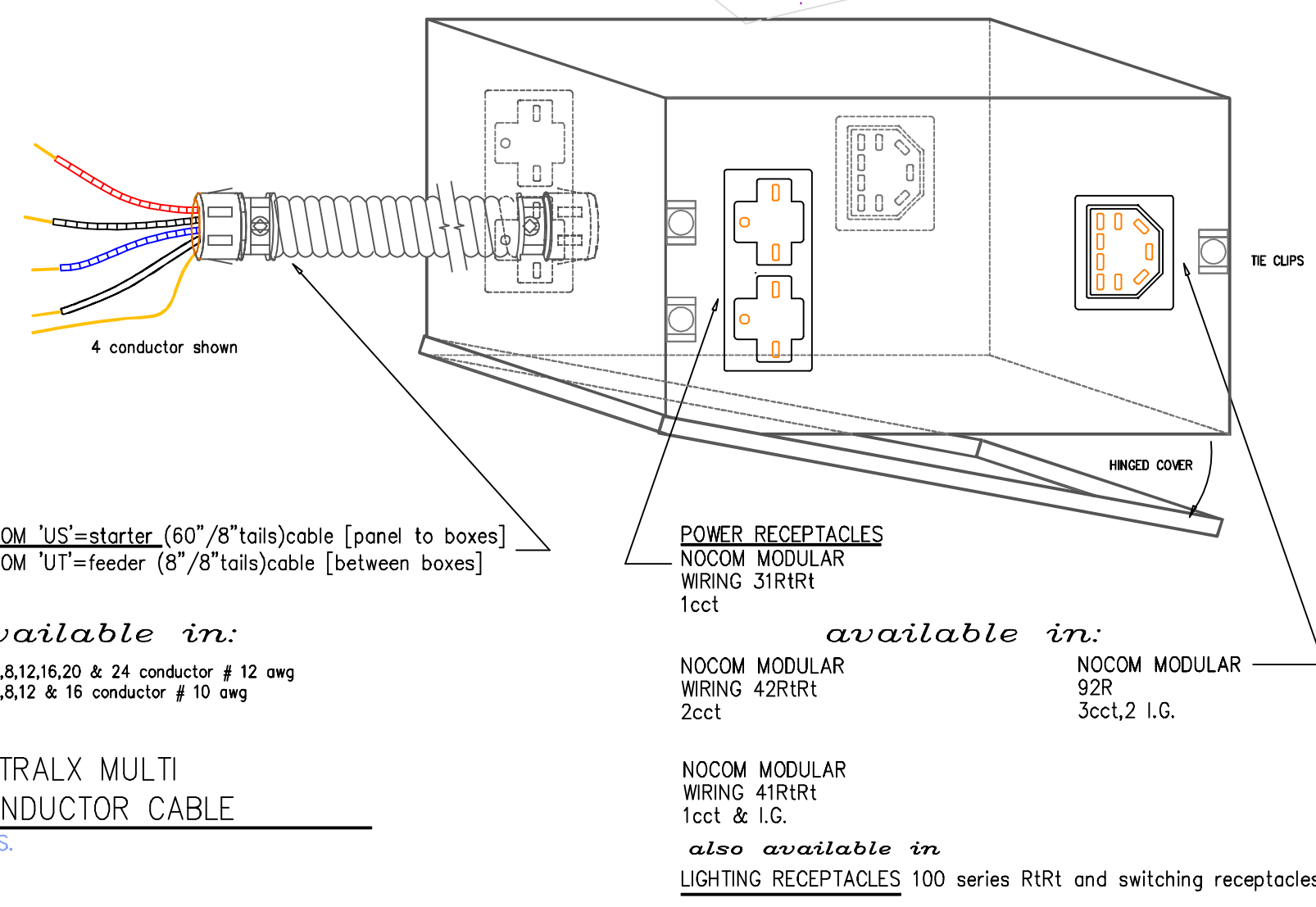


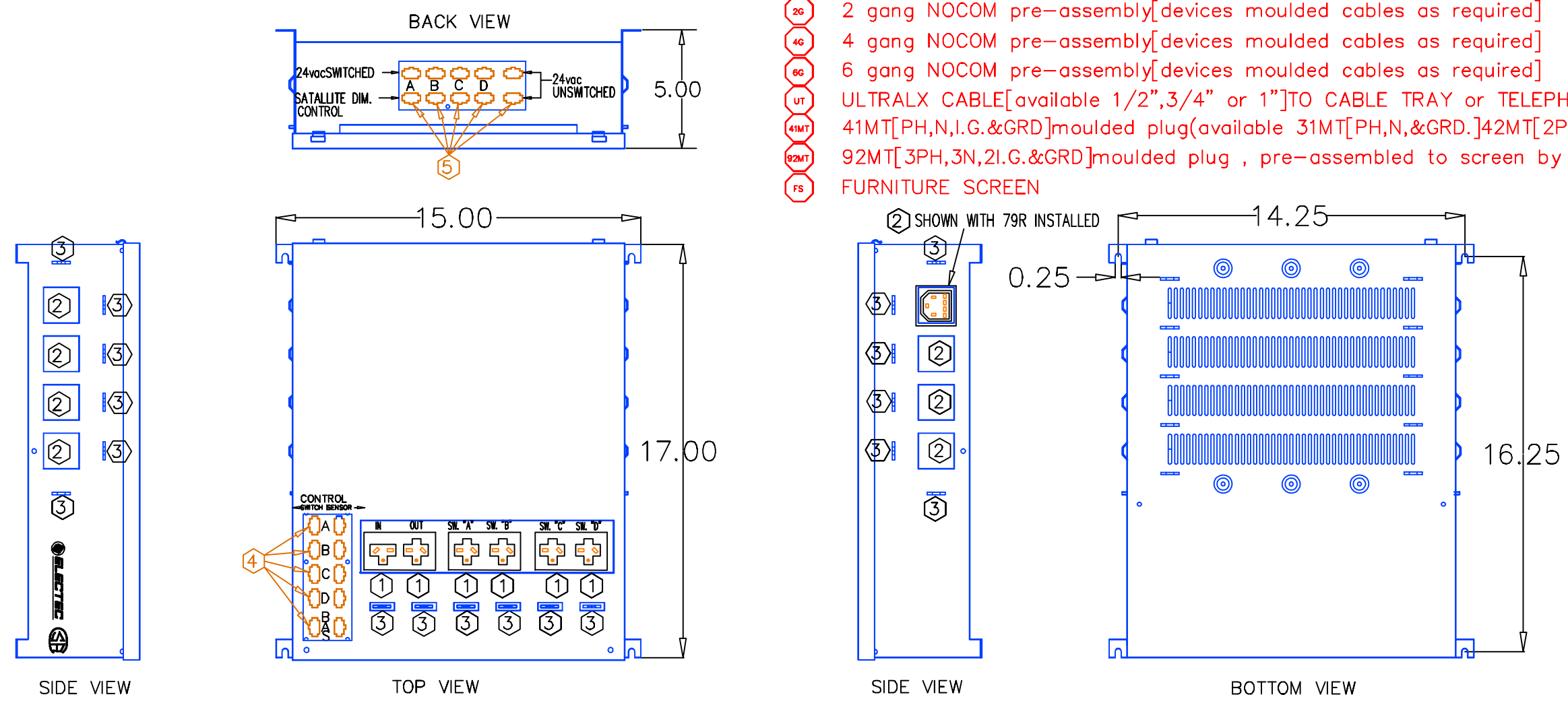
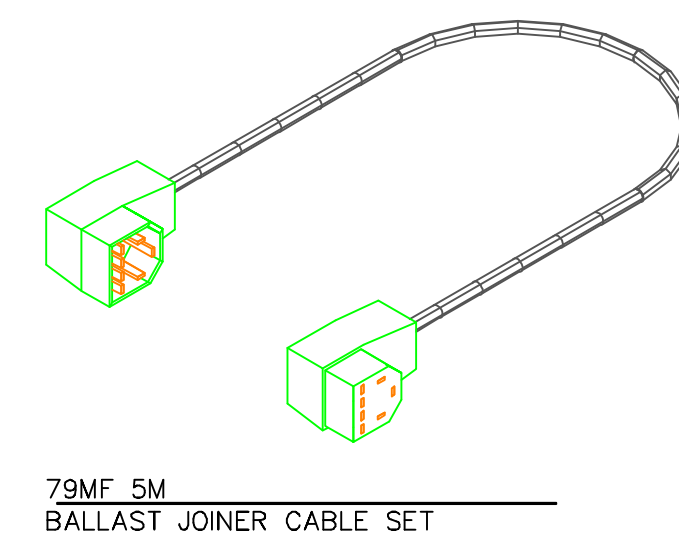
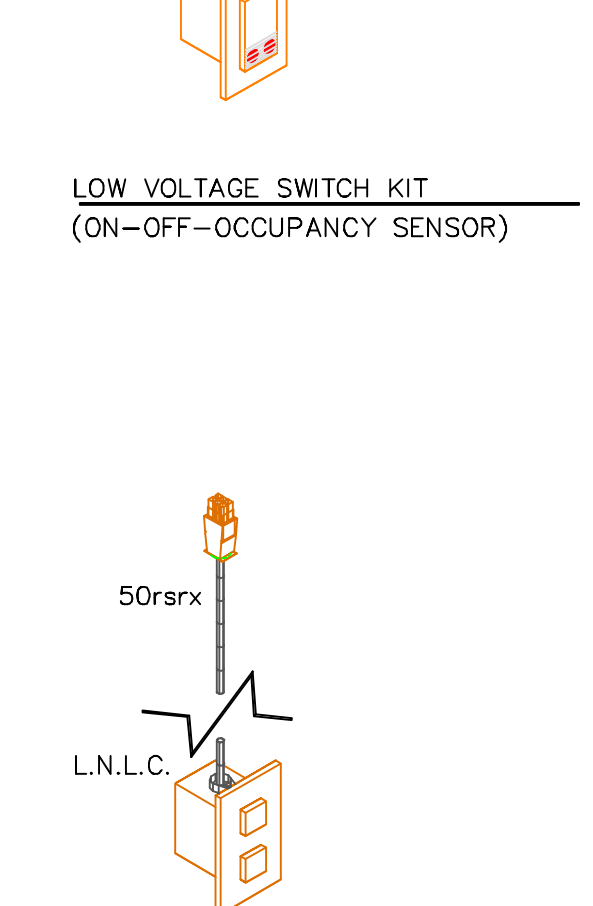
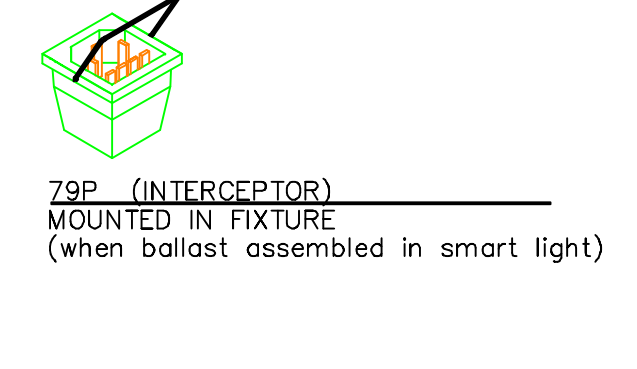
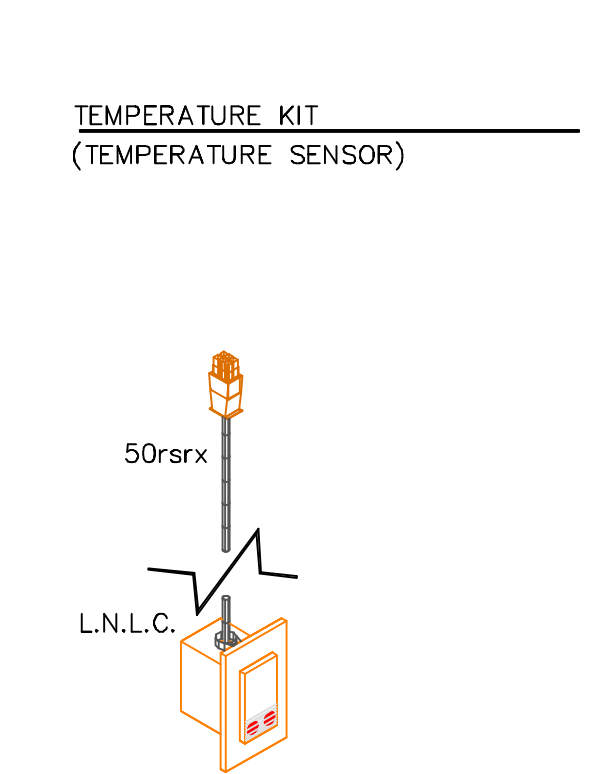
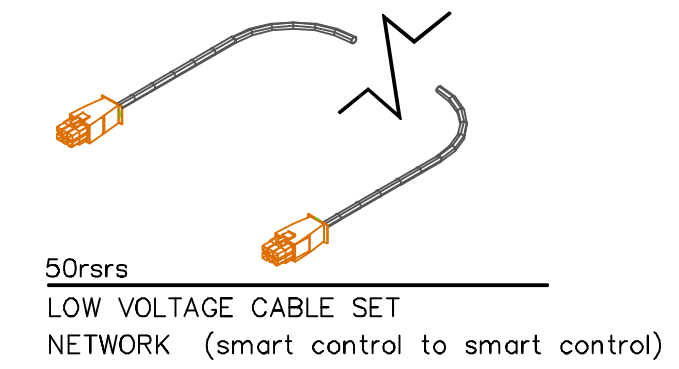
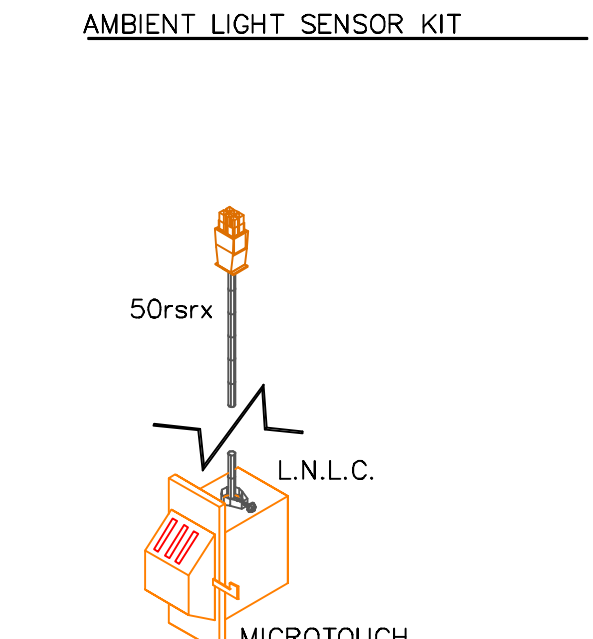
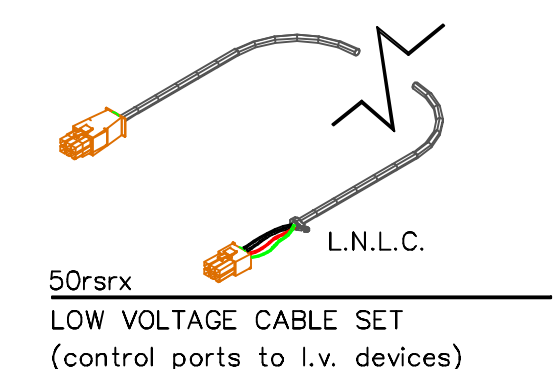
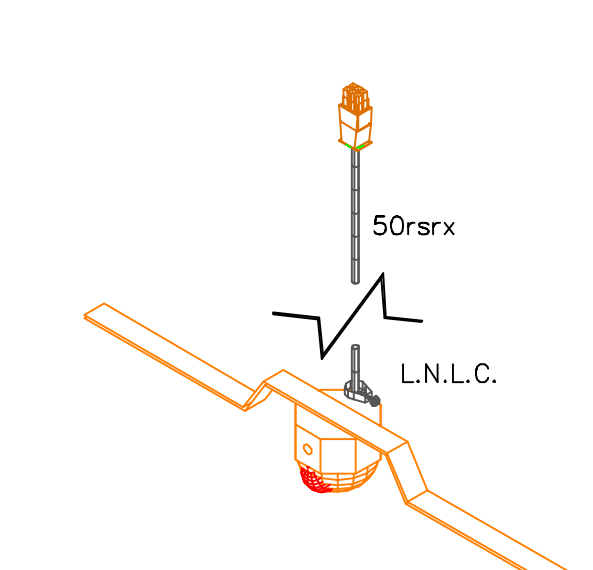
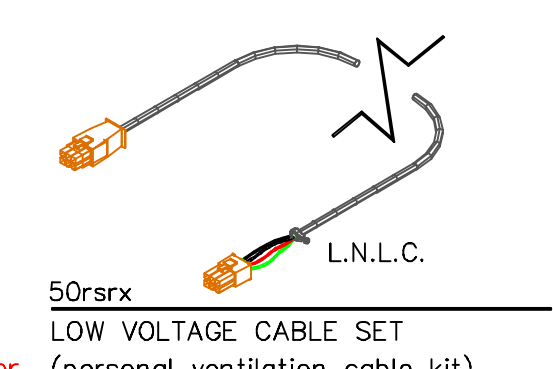
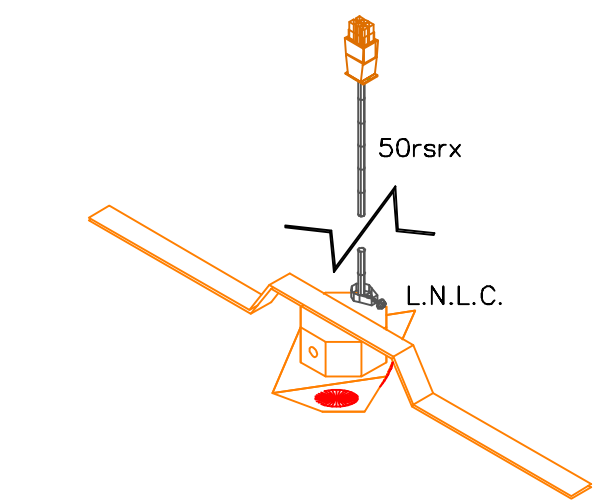
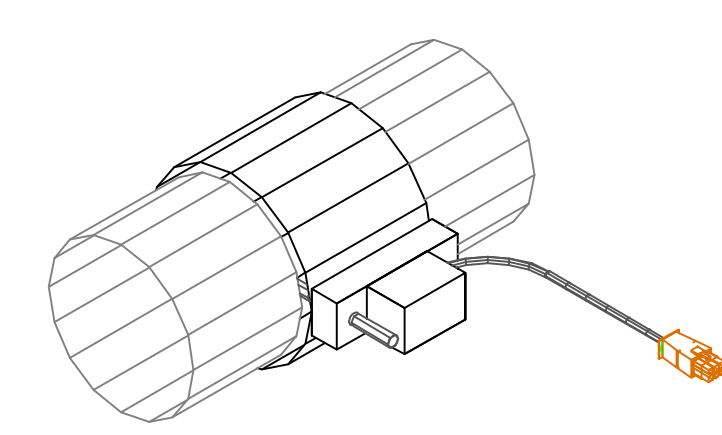
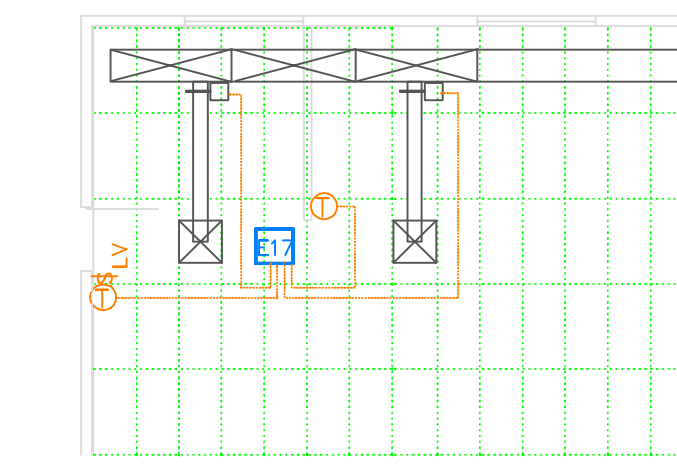
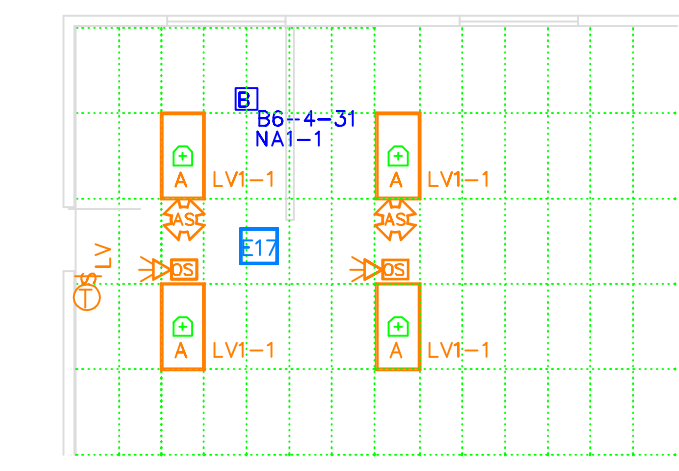
ISOMETRIC PLAN - TWO WORK STATION CUBICLE  
1/2"=1'0"  
3D VIEW - DO NOT SCALE



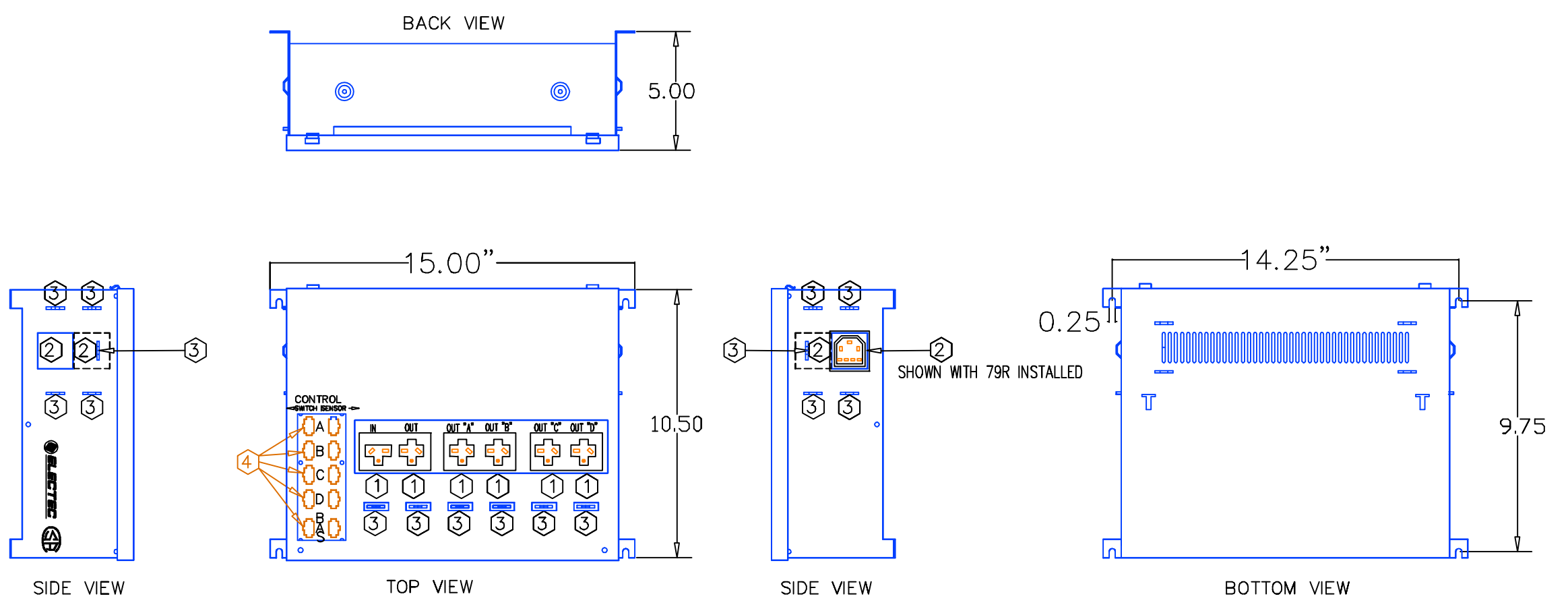
PERSONAL ENVIRONMENTAL SYSTEM USER INTERFACE APPLICATION

LEGEND

- ① ENCLOSURE E17 SMART CONTROL
- ② PERSONAL ENVIRONMENTAL SYSTEM APPLICATION [ PES ]
- ③ EXISTING OR OWNER SUPPLIED P.C.
- ④ JOINER CABLE 102-347-JCS
- ⑤ JOINER CABLE 31MFbk16a
- ⑥ BALLAST CABLE 79MFbk12a (7 cond.#18 str.)
- ⑦ CONTROL CABLE 50RSPX24A
- ⑧ JOINER CABLE TO NEXT BOX ON SAME CIRCUIT
- ⑨ LOW VOLTAGE SWITCH
- ⑩ OCCUPANCY SENSOR CLG. MTD.
- ⑪ AMBIENT LIGHT SENSOR
- ⑫ RECEPTACLE BOX Bx-Y-Z c/w 100-347-rrt (to suit)
- ⑬ FEEDER STARTER \_C #12+grd ULTRALX-105 deg. ( \_C=# of conductors to suit)
- ⑭ FEEDER \_C #12+grd ULTRALX-105 deg. ( \_C=# of conductors to suit)
- ⑮ LOCKNUTLESS BOX CONNECTOR
- ⑯ FLUORESCENT FIXTURE 2x4
- ⑰ SMART CONTROL NETWORK CABLE
- ⑱ PERSONAL AIR DELIVERY
- ⑲ USER NETWORK CABLE
- ⑳ SINGLE RECEPTACLE STYLE 79R
- ㉑ MALE CORD CAP STYLE 79M
- ㉒ FEMALE CORD CAP STYLE 79F
- ㉓ SINGLE PLUG STYLE 79P
- ㉔ CONTROL DAMPER AND ACTUATOR
- ㉕ TEMPERATURE DEVICE
- ㉖ 2 gang NOCOM pre-assembly [ devices moulded cables as required ]
- ㉗ 4 gang NOCOM pre-assembly [ devices moulded cables as required ]
- ㉘ 6 gang NOCOM pre-assembly [ devices moulded cables as required ]
- ㉙ ULTRALX CABLE [ available 1/2", 3/4" or 1" ] TO CABLE TRAY or TELEPHONE ROOM
- ㉚ 41MT[PH,N,I,G.&GRD] moulded plug [ available 31MT[PH,N,&GRD], 42MT[2PH,N,G,GRD.]
- ㉛ 93MT[3PH,3N,2I,G.&GRD] moulded plug, pre-assembled to screen by furniture manufacturer
- ㉜ FURNITURE SCREEN



ENCLOSURE 'E17' SMART CONTROL  
N.T.S.



ENCLOSURE 'E12' SMART CONTROL  
N.T.S.

OTHER VOLTAGES, CONFIGURATIONS AVAILABLE



ISSUE	REVISION	DATE

ISSUED FOR INFORMATION ONLY AND TO CONVEY THE GENERAL INTENT OF THE LAYOUT AND INSTALLATION OF NOCOM MODULAR WIRING SYSTEM SHOWN.

DO NOT SCALE DRAWING.

DIAGRAMMATIC FIELD COORDINATE

OWNERSHIP OF DOCUMENTS:  
THIS DRAWING AND ACCOMPANYING INFORMATION AS INSTRUMENT OF SERVICE ARE THE PROPERTY OF NOCOM. ANY REPRODUCTION OR USE IN WHOLE OR IN PART IN ANY FORM WHETHER THE WORK FOR WHICH THEY ARE PRESENTED BE EXECUTED OR NOT IS FORBIDDEN WITHOUT THE EXPRESS WRITTEN PERMISSION OF NOCOM.

**NOCOM**  
105 Willowlea Road, Carp, Ont., Canada K0A-1L0  
Telephone (613) 831-8102 Fax (613) 831-8103  
Toll Free 1-888-792-4478 E-MAIL: info@nocom.ca

PROJECT TITLE  
APPLICATION COMPONENT LAYOUT

DRAWING TITLE  
PERSONAL ENVIRONMENTAL SYSTEM MODULAR IMPLEMENTATION

DRAWN BY: t.p.  
CHECK BY: t.p.  
DATE: 2000

FIG.#: 00-000  
PAGE: 05  
SCALE: N.T.S.